

Internal tank cleaner with water drive

- Cleaning head RH
- 360° spray coverage
- Variable shaft lengths
- Water hydraulic motor
- Adjustable speed
- maximum 200 bar
- Maximum 50 liters/minute
- Installation opening > ø65 mm
- INOX 1.4301 / VITON



General description



The HRH.STD tank cleaner with water drive consists of a cleaning head, a water drive and a connecting pipe.


The water drive converts the water flow into rotary motion. The connecting pipe transmits this movement and directs the high-pressure water to the spray head. There is a gearing on the spray head which engages with a fixed gearing on the connecting pipe. This causes the spray head itself to rotate by an additional 90°. Due to the rotation in two axes, the nozzles rotate in a spherical shape, whereby all areas in the tank are hit once by the water spray after a certain time.

This modular design means that the individual elements can be replaced and quickly put back into operation if servicing is required.

Product features

- Functionality**
 - Using a compact water turbine, the energy from the water is not only used for cleaning, but also to drive the cleaning head.
 - Rotation of cleaning head and cleaning nozzles achieves 360° spray coverage
 - Drive can also be inserted into the container
- Adjustability**
 - Rotation speed can be varied by means of water volume and can be adapted to different water volumes using different nozzles
 - Container cleaner can be used for different container sizes thanks to pipe extension
- Functional safety**
 - Designed for durability and easy maintenance
 - Very low operating noise
- Variants**
 - Stepped shaft lengths from 140 mm to 4000 mm are possible
 - other shaft lengths on request

Technical data

Drive	water-hydraulic	
Hydraulic data	Minimum pressure	100 bar
	Maximum pressure	200 bar
	Minimum flow rate	10 l/min
	Maximum flow rate	50 l/min
	Spray cover	360°
	Maximum temperature	90 °C
	Connection	M22x1.5 / G1/2" / G3/8"
	Nozzles	2 pieces 0° / 5° / 15° 1/8"
Mechanical data	Speed	10 - 30 revolutions/minute
	Cycle complete	Depending on the speed and soiling
Material	Cleaning head	1.4301 INOX
	Connecting tube	1.4301 INOX
	Motor	1.4301 INOX
	Seals	FPM Viton / EPDM / FDA
Installation data	Installation opening	larger Ø65 mm larger than Ø77 mm Automatic retraction/extension
	Approvals	ATEX 2014/34/EU  II 2 G Ex h IIC T6 ... T1 Gb II 2 D Ex h IIIC T40 °C ... T90 °C Db

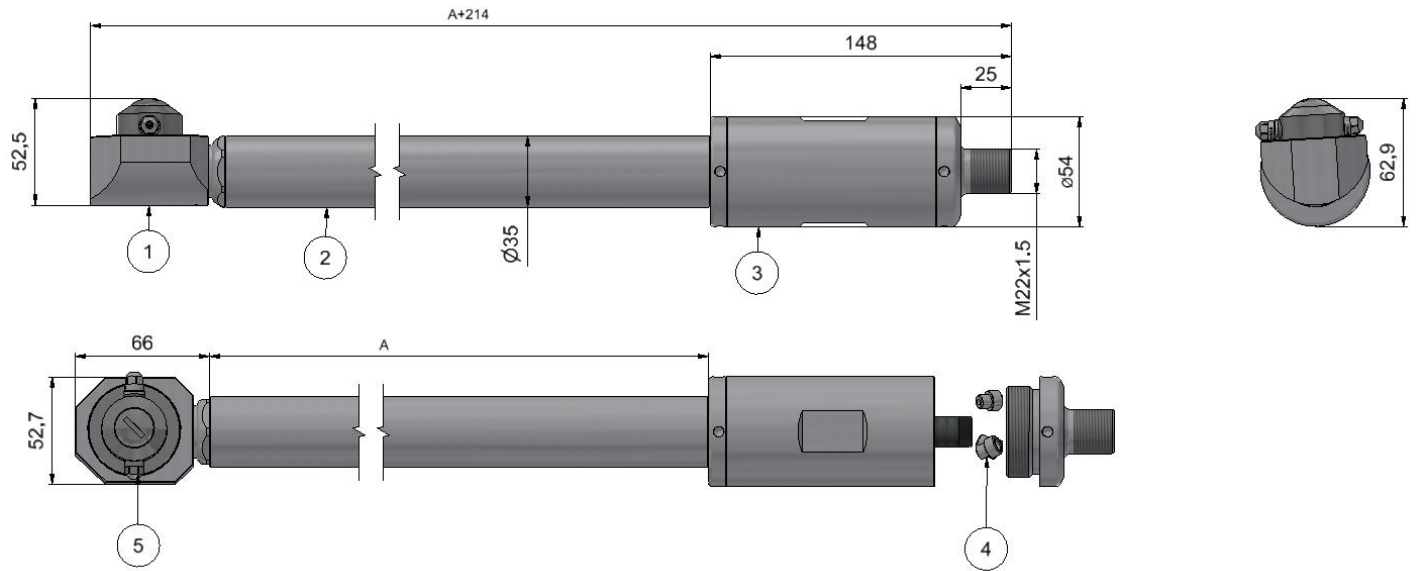
Safety instructions


- This container interior cleaner is exclusively suitable for cleaning the interior of production, storage and transport containers that can be treated with a high-pressure water spray with cleaning solution.
- The appliance is only intended for use with fresh water and cleaning agents expressly approved by the manufacturer (see www.moog.ch). Always comply with the operating conditions and performance limits specified in the technical data sheet.
- This appliance is a technical tool and is not intended for private use. Proper transportation and storage are also prerequisites for its intended use.

Installation instructions

- Maintenance** Clean the nozzles with compressed air or with a very thin metal rod if they are clogged with dirt. If necessary, replace the nozzles with similar nozzles with identical nozzle openings.
- The filter screen in the inlet of the water-hydraulic drive must be cleaned regularly depending on the degree of soiling of the cleaning medium. A damaged filter screen must be replaced.
- On delivery, the speed of the drive is adjusted to the output of the high-pressure supply used according to customer requirements. This can be changed using the three flow control nozzles.
- The maintenance intervals vary depending on the duration of use, pressure range, media temperature and cleaning agent used. These must be determined individually during trial operation. The operator is responsible for adhering to the maintenance intervals.
- Maintenance must be carried out approximately every 300 operating hours and all seals must be replaced.
- The ball bearings must be replaced with original bearings after 2000 operating hours at the latest.

Components



Positions	
Pos.	Component
1	Spray head combination S-RH-55
2	Connecting tube Ø35 mm
3	VITON water drive
4	Water drive nozzles
5	Nozzles Cleaning head RH

Length / longuer / length			
No.	A	No.	A
HR-H-0140	140mm	HR-H-1000	1000mm
HR-H-0170	170mm	HR-H-1500	1500mm
HR-H-0300	300mm	HR-H-2000	2000mm
HR-H-0500	500mm	HR-H-3000	3000mm
HR-H-0700	700mm	HR-H-4000	4000mm

Accessories and spare parts

Accessories and spare parts Contact Sales +41 31 838 19 19
 info@moog.ch

Documentations

- Further documentation
- Operating instructions
 - Spare parts overview
 - Spare parts price list
 - Certificates
 - Declaration of conformity