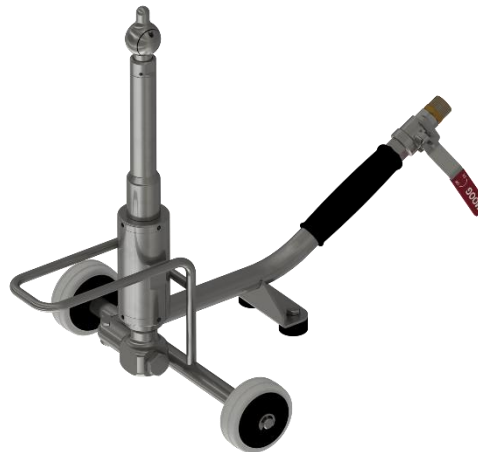


**BRM-C barrel cleaner with water drive**

- Cleaning head RK
- 360° spray coverage
- Barrels from 225-600 liters
- Water hydraulic motor
- Speed 10-30 rpm
- Working pressure 80-120 bar
- maximum 30 liters/minute
- Installation opening > ø38 mm
- INOX 316L / VITON



**General description**



The BRM-C barrel cleaner with water drive consists of an HRK cleaner, a compact mobile frame and an optional loading ramp.

With the BRMC barrel cleaner, the barrels are removed from the storage area and placed on the optional loading ramp. The spray head of the BRM barrel cleaner is inserted into the bunghole from below. The dirty water drains out through the bunghole. The water-hydraulic drive of the cleaner ensures very convenient and safe cleaning of the barrels.

Thanks to the modular design, the individual elements can be replaced and quickly put back into operation if servicing is required.

**Product features**

- Functionality**
  - Using a compact water turbine, the energy from the water is not only used for cleaning, but also to drive the cleaning head.
  - Rotation of cleaning head and cleaning nozzles achieves 360° jet coverage
  - Easy loading of the barrel and insertion of the BRM-C
- Adjustability**
  - Rotation speed can be varied by means of water volume and can be adapted to different water volumes using different nozzles
  - Barrel cleaner can be used for different barrel sizes
- Functional safety**
  - Designed for durability and easy maintenance
  - Very low operating noise



**Technical data**

<b>Drive</b>	water-hydraulic	
<b>Hydraulic data</b>	Minimum pressure	80 bar
	Maximum pressure	120 bar
	Minimum flow rate	13 l/min
	Maximum flow rate	20 l/min
	Spray cover	360°
	Maximum temperature	90 °C
	Connection	M22x1.5 / G1/2" / G3/8"
	Nozzles	2 pieces 0° / 5° / 15° M4
<b>Mechanical data</b>	Speed	10 - 30 revolutions/minute
	Cycle complete	~3-5 min. depending on soiling
<b>Material</b>	Cleaner	1.4301 stainless steel
	Mobile frame	1.4301 stainless steel
	Seals	FPM Viton / EPDM / FDA
<b>Installation data</b>	Installation opening	larger Ø38 mm
<b>Approvals</b>	CE	

**Safety instructions**


- This barrel cleaner is only suitable for cleaning the inside of barrels.
- The appliance is only intended for use with fresh water and cleaning agents expressly approved by the manufacturer (see [www.moog.ch](http://www.moog.ch)). Always observe the operating conditions and performance limits specified in the technical data sheet.
- This appliance is a technical tool and is not intended for private use. Proper transportation and storage are also prerequisites for its intended use.

**Installation instructions**

**Maintenance** Clean the nozzles with compressed air or with a very thin metal rod if they are clogged with dirt. If necessary, replace the nozzles with similar nozzles with identical nozzle openings.

The filter screen in the inlet of the water-hydraulic drive must be cleaned regularly depending on the degree of soiling of the cleaning medium. A damaged filter screen must be replaced.

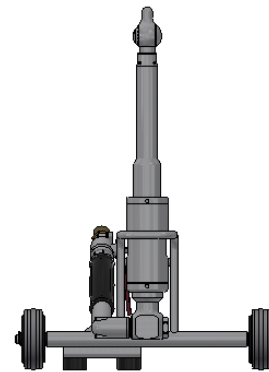
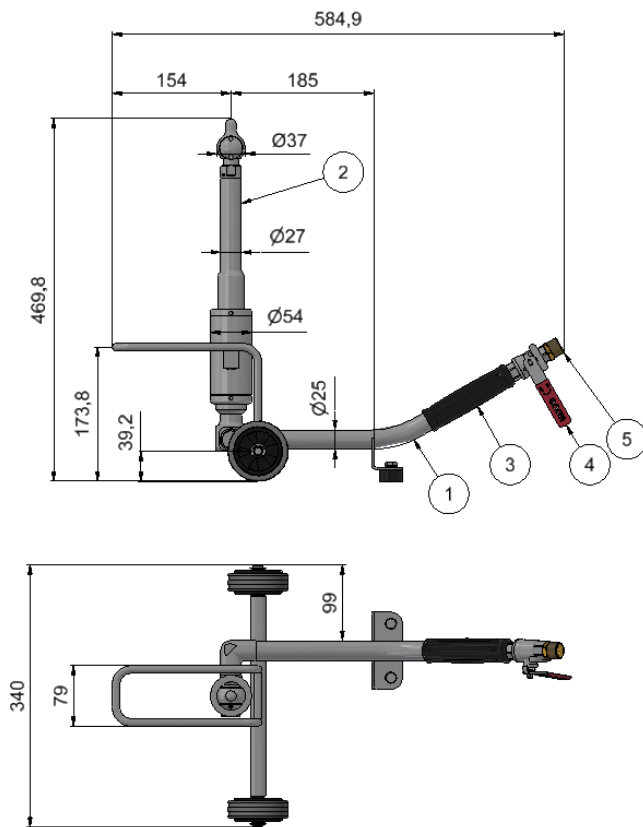
On delivery, the speed of the drive is adjusted to the output of the high-pressure supply used according to customer requirements. This can be changed using the three flow control nozzles.

The maintenance intervals vary depending on the duration of use, pressure range, media temperature and cleaning agent used. These must be determined individually during trial operation. The operator is responsible for adhering to the maintenance intervals.

Maintenance must be carried out approximately every 300 operating hours and all seals must be replaced.

The ball bearings must be replaced with original bearings after 2000 operating hours at the latest.

Components



Positions	
Pos.	Component
1	Chassis
2	HRK cleaner
3	Handle
4	Ball valve
5	Water connection

Accessories

Accessories [www.moog.ch](http://www.moog.ch)  
 Contact Sales +41 31 838 19 19  
[info@moog.ch](mailto:info@moog.ch)



Spare parts

Spare parts [www.moog.ch](http://www.moog.ch)  
 Contact Sales +41 31 838 19 19  
[info@moog.ch](mailto:info@moog.ch)



Documentations

- Further documentation
- Operating instructions
  - Spare parts overview
  - Spare parts price list
  - Certificates
  - Declaration of conformity